

DIAMOND PIER® DINNER SEMINAR

NEW
PRODUCT!

FREE
DINNER!

Thursday, January 16th 2014

5:00 PM—7:00 PM

Complimentary dinner included!

Shepley Showcase

75 Ben Franklin Way, Hyannis MA



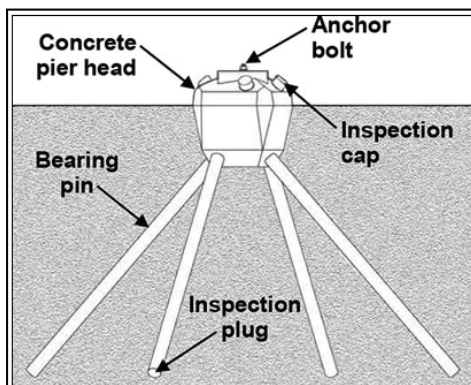
Shepley is proud to announce a new product called “Diamond Pier”. Shepley has purchased a demolition hammer and driver bit for installing diamond piers. Customers are welcome to borrow* these items.

**Shepley believes that Diamond Pier is a product you will want to use—
so join us for dinner on Thursday January 16th to learn more about it!**

Diamond Pier is a time-saving and low environmental impact substitute for deck footings. Diamond Piers are pre-engineered foundation systems. They have been used successfully and repeatedly over the last two decades by Federal, State and Municipal clients across the US, and they provide significant compression, uplift and lateral load capacity. Diamond Pier has won green building recognition for being at the forefront of low impact design and innovation. Using the Diamond Pier to support buildings eliminates the need for excavation, which dramatically reduces concrete use, saves fuel and topsoil, and preserves natural drainage. Installation is simple. The precast concrete head is installed at the ground surface, and steel bearing pins are driven through the head and into the ground using simple hand-held tools. This is the best way to install a reliable and durable foundation that will last the lifetime of your structure.

Shepley will be stocking the DP75-4.2 (which meets the criteria of the majority of our applications on Cape Cod). We brought this product in at the request of a few of our customers, who are already using it in some areas of the Cape. But please remember, it is ultimately up to the builder to get approval from the local building official prior to use!!

**Refundable deposit required for use of demolition hammer and/or driver bit.*



RSVP: Leah Fennell at 508-862-6261 or lfennell@shepleywood.com